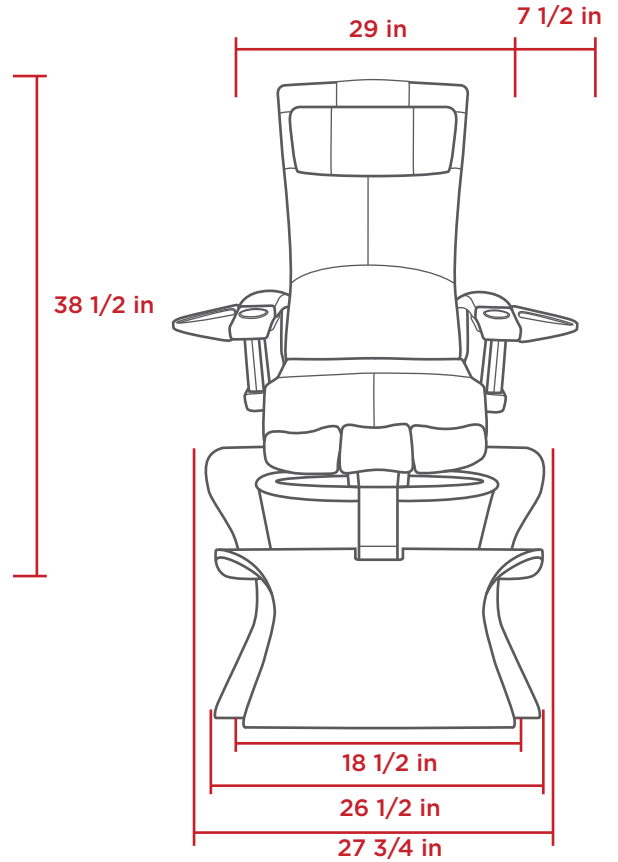
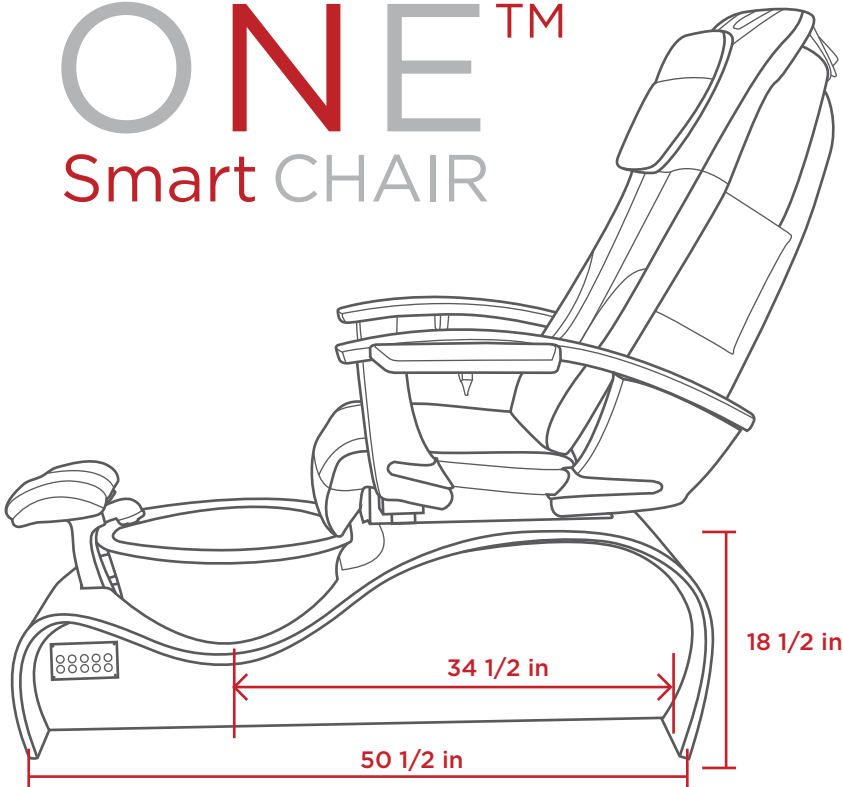


BUILT  IN AMERICA



ONETM Smart CHAIR



Litebox
Electronics
Development

Making Salons Smarter.

www.lite-box.com | Hollywood, CA 90028
T: 213-361-5909 / 424-335-4127 F: 213-947-1786



LED ONE Smart Chair Specifications & Dimensions

ELECTRICAL SPECIFICATIONS (GFCI Outlet Required)

Magna-JET (Dual Whirlpool)	120V AC / 60Hz / 1amp with 30 watt consumption
Massage Chair	110-120V AC / 60Hz with 65 watt consumption
Optional Discharge Pump	120V AC / 60Hz

PLUMBING SPECIFICATIONS (Easy Access From Back Of Base PLUS Removable Side Panels)

Hot & Cold Water Supply Lines	3/8" Braided Stainless Steel Hoses
Drain	1 1/2" PVC Outlet with P-Trap
Drain with Discharge Pump	3/4" PVC Outlet with P-Trap

WATER CAPACITY

Glass Bowl	5 U.S. Gal (18.9L)
------------	--------------------

WARRANTY

Base & Chair	1 Year Parts
--------------	--------------

DIMENSIONS

	LENGTH	WIDTH	HEIGHT
Base	50 1/2" (128.3cm)	27 3/4" (70.5cm)	18 1/2" (47.0cm)
Chair Upright	33" (83.8cm)	29" (73.7cm)	38 1/2" (97.8cm)
Chair Fully Reclined	45" (114.3cm)		
Drain Plug to Back of Base	34 1/2" (87.6cm)		
Total	50 1/2" (128.3cm)	29" (73.7cm)	57" (144.8cm)
Total (Full Back / Full Recline)	71" (180.3cm)	44" (111.8cm)	50" (127cm)

WEIGHT

Base	100 lbs. (45.4kg)
Chair	90 lbs. (40.8kg)
Max Capacity	500 lbs. (226.8kg)

CERTIFICATIONS

Base	ETL / CE Pending
Chair	ETL (U.S./Canada)

INSTALLATION

MUST be installed by a Licensed Electrician & Licensed Plumber