

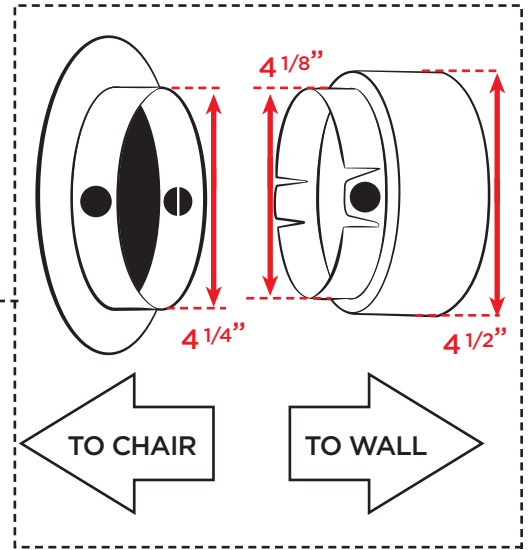
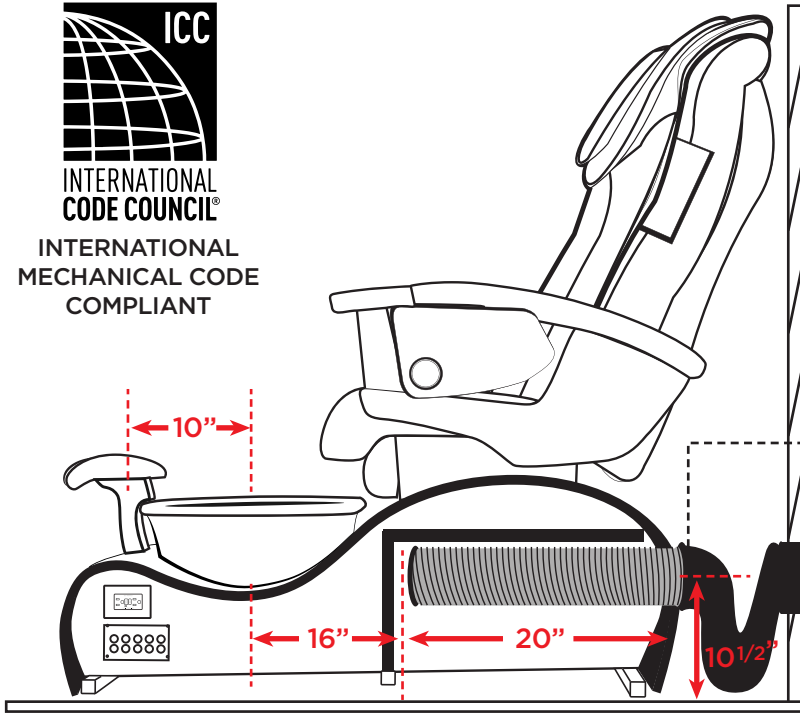
# VENTED ONE

Smart CHAIR



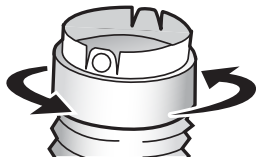
INTERNATIONAL  
CODE COUNCIL®

INTERNATIONAL  
MECHANICAL CODE  
COMPLIANT



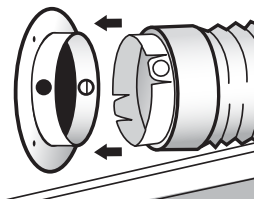
### 1 SECURING THE CONNECTOR TO THE DUCT

Secure the end of the male duct connector onto a 4" flexible duct which leads to the central exhaust system (not provided) by turning the male duct connector counter-clock-wise until it grips the duct firmly.



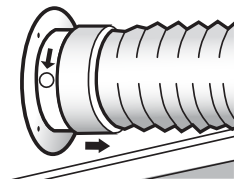
### 2 JOINING THE TWO CONNECTOR PIECES

To complete the installation, push the male duct connector into the female wall connector until the buttons pop back into place.



### 3 SEPARATING THE CONNECTORS

When access is needed to clean and maintain the ductwork, separate the connectors by pressing the two buttons on the sides and pulling the two pieces apart.



## Minimum Ventilation Rates

OCCUPANCY CLASSIFICATION	OCCUPANT #/1000FT <sup>2a</sup>	PEOPLE OUTDOOR AIRFLOW RATE IN BREATHING ZONE, R <sub>p</sub> CFM/PERSON	AREA OUTDOOR AIRFLOW RATE IN BREATHING ZONE, R <sub>a</sub> CFM/FT <sup>2a</sup>	EXHAUST AIRFLOW RATE CFM/FT <sup>2a</sup>
Nail salons <sup>b2h</sup>	25	20	0.12	0.6

- ▶ Mechanical exhaust required and the recirculation of air from such spaces is prohibited
- ▶ For nail salons, each nail station shall be provided with a source capture system capable of exhausting not less than 50cfm per station

\*Source: International Mechanical Code 2012, p.35, Table 403.3 - continued. Footnote b. & h.

Disclaimer: Always check municipal specific ordinances and local codes.